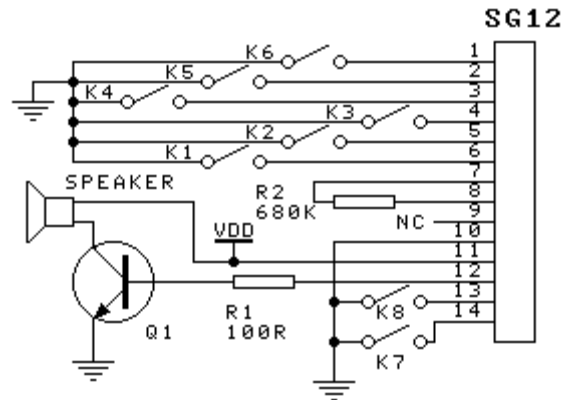


SOUND GENERATOR 12, Guns & Bombs

CMOS LSI chip designed for electronic toy applications. It contains a collection of sirens, bomb & rifle sounds. Auto power off, one shot mode, wide operating voltage between 2.5V and 5V. Quiescent current drain less than 5uA. Operating current around 0.6mA. The COB, chip-on-board, is bonded on a 29mm x 16mm single sided PCB. A motherboard to hold the COB PCB is supplied for ease of construction.

You may experiment with the 680K oscillator resistor. A higher resistance will give a lower tune. Any small signal transistor works for Q1.



COMPONENTS

8 ohm speaker	1
3V battery snap	1
100R resistor brown black brown R1	1
680K resistor blue grey yellow R2	1
SG12 COB PCB	1
BC547 transistor	1
SG12 motherboard	1
Push-on switch	8

See our website at <http://www.kitsrus.com>

Email us at peterhk@kitsrus.com