

# RW/RWH

**GOOD SKY ELECTRIC (MFG) CO.,LTD.**  
MINATURE POWER RELAYS

## Main Features

1. RW series Relay covers switching capacity by 10A in spite of miniature size to comply with user's wide selection.
2. Employment of suitable plastic materials to be applied to high temperature and various chemical solution.
3. Complete protective construction form dust and

Soldering flux. If required, plastic epoxy resin sealed type is available for washing procedure.



## Application

Domestic appliances, office machines, audio equipment, coffee-pots, control unit, etc.

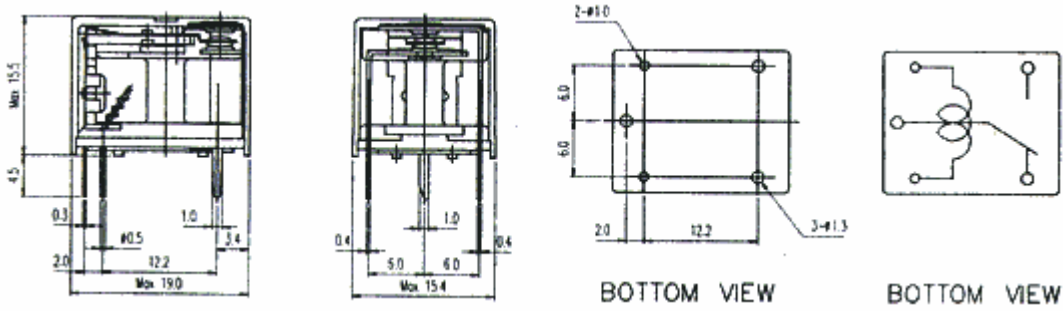
## Classification

Coil Sensitivity	Coil Voltage Code	Nominal Voltage (VDC)	Nominal Current (mA)	Coil Resistance ( $\pm 10\%$ )	Power Consumption (W)	Pull-In Voltage (VDC)	Drop-Out Voltage (VDC)	Maximum Allowable Voltage (VDC)
RW/RWH	03	3	120	25	abt. 036	75% Max.	5% Min.	130%
	05	5	73	70				
	06	6	60	100				
	09	9	40	225				
	12	12	30	400				
	18	18	20	900				
	24	24	15	1600				
	48	48	7.5	6400	0.45W	80% Max.		

## Outline (unit: mm)

Please click below for a more detail outline.

i@



### Coil Specification (at 20¢J)

Coil Sensitivity	Coil Voltage Code	Nominal Voltage (VDC)	Nominal Current (mA)	Coil Resistance (Ω ±10%)	Power Consumption (W)	Pull-In Voltage (VDC)	Drop-Out Voltage (VDC)	Maximum Allowable Voltage (VDC)
RW/RWH	03	3	120	25	abt. 036	i@ i@ 75% Max.	5% Min.	130%
	05	5	73	70				
	06	6	60	100				
	09	9	40	225				
	12	12	30	400				
	18	18	20	900				
	24	24	15	1600				
	48	48	7.5	6400		80% Max.		

### Contact Rating

Type	RW	RWH
Item		
Contact Capacity		12A/250VAC
Resistive Load	12A/120VAC	15A/120VAC
(Cosφ=1)	10A/120VAC	15A/24VDC
Inductive Load	10A/24VDC	5A/240VAC
(Cosφ=0.4	1.5A/120VAC	5A/120VAC
L/R = 7 mSec)	1.5A/24VDC	5A/24VDC
Rated Carrying Current	10A	15A
Max. Allowable Voltage	AC 240V DC 110V	AC 240V DC 110V
Max. Allowable Current	10A	15A
Max. Allowable Power Force	1,500VA 240W	1,800VA 360W
Reference Minimum	DC5V 10mA	DC5V 15mA

Applicable Load		
Contact Material	Ag Alloy	AgSnO <sub>2</sub>

## Performance (at Initial Value)

Item	Type	RW/RWH
Contact Resistance		100 mΩ Max.
Operate Time		10 mSec. Max.
Release Time		5 mSec. Max.
Dielectric Strength		
Between Coil & Contact		AC 1,000V at 50/60 Hz for 1 Minute
Between Contacts		AC 500V at 50/60 Hz for 1 Minute
Surge Resistance		3,000V (between coil & contact 1x40mSec)
Insulation Resistance		100 Megga Ω Min. at DC 500V.
Max. On/Off Switching		
Electrical		300 operations per Minute
Mechanical		30 operations per Minute
Operating Ambient		-30 to +55°C
Temperature Range		(No condensation of water drop)
Operating Humidity		45 to 85% RH.
Coil Temperature Rise		35 degree Max. (at rated coil voltage)
Vibration		
Endurance		10 to 55 Hz dual amplitude width 1.5mm
Error Operation		10 to 55 Hz dual amplitude width 1.5mm
Shock		
Endurance		100 G Minimum
Error Operation		10 G Minimum
Life Expectancy		
Mechanical		10,000,000 operations Minimum
Electrical		100,000 operations Minimum
Weight		Abt. 11 g

## Reference Data

Please click below for a more detail outline.

